

English version
Version Française
Deutsche Fassung

Ventilation for buildings - Experimental determination of mechanical energy loss coefficients of air handling components

This corrigendum becomes effective on 24 July 2002 for incorporation in the English language version of the CEN Report.

Ce corrigendum prendra effet le 24 juillet 2002 pour incorporation dans la version linguistique anglaise du Rapport CEN.

Die Berichtigung tritt am 24. Juli 2002 zur Einarbeitung in die Englische Sprachfassung des CEN-Berichtes in Kraft.



EUROPEAN COMMITTEE FOR STANDARDIZATION
COMITÉ EUROPÉEN DE NORMALISATION
EUROPÄISCHES KOMITEE FÜR NORMUNG

Management Centre: rue de Stassart, 36 B-1050 Brussels

English version

Figure A.4 is to be replaced by the following figure:

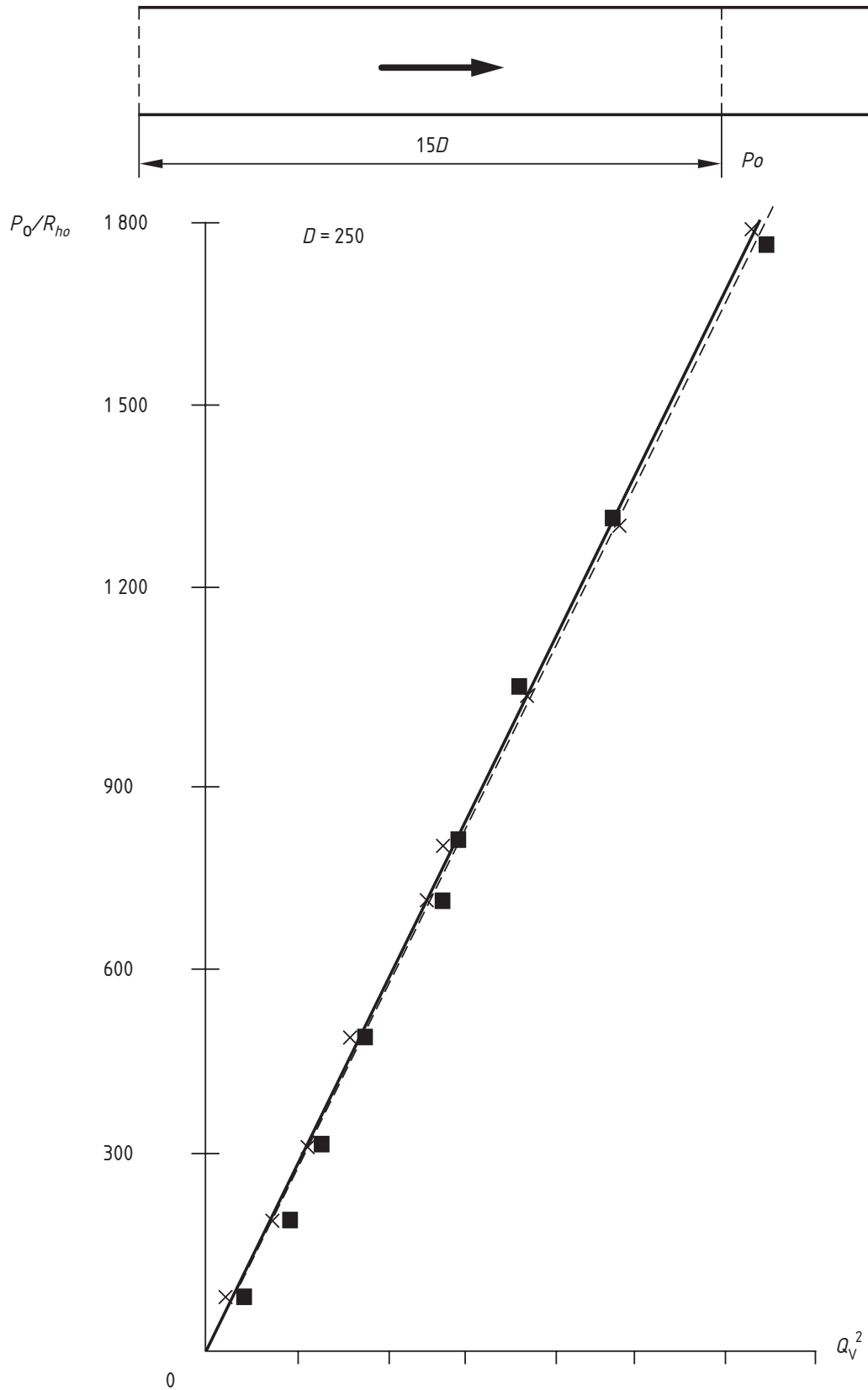
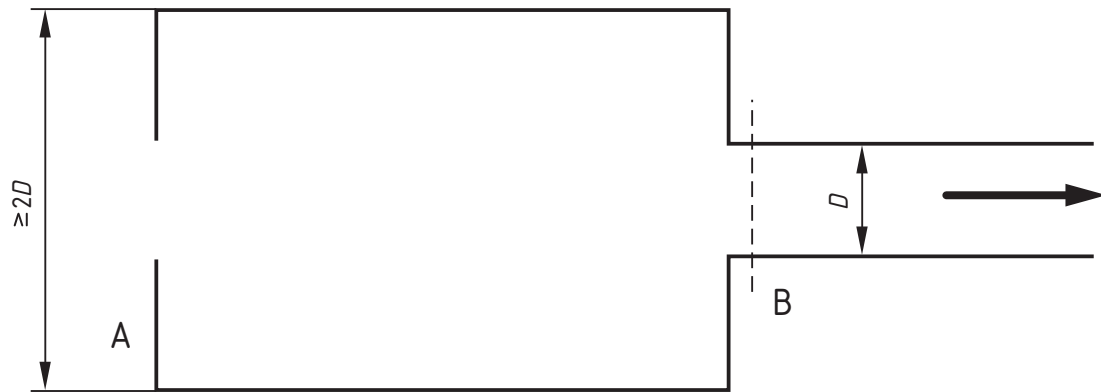


Figure A.4 — Calibrated perforated plate

Figure A.5 is to be replaced by the following figure:



Key

- A Orifice plate
- B Perforated plate

Figure A.5 — Inlet chamber for flow regulation

Figure A.6 is to be replaced by the following figure:

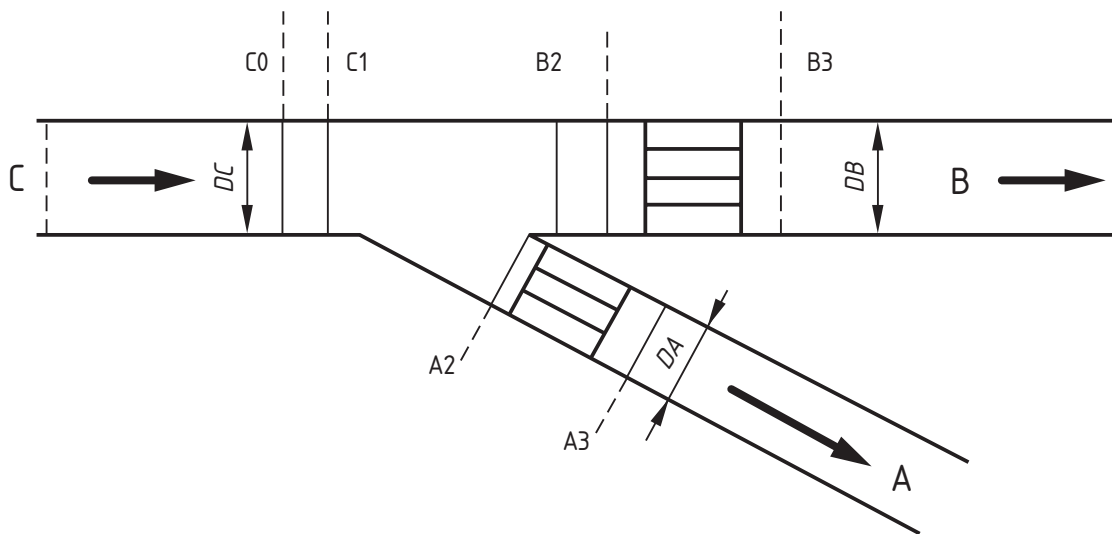


Figure A.6 — Diverging junctions